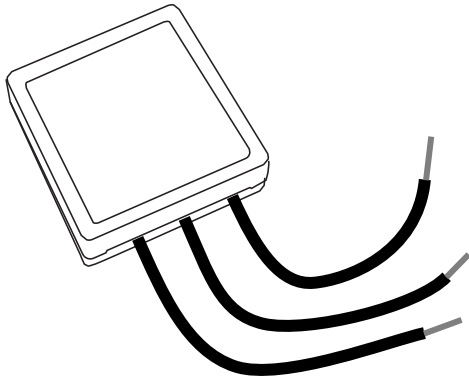
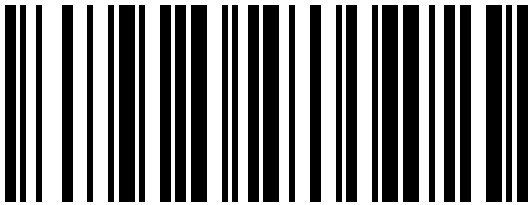


VOLTEX®

IWT-FR



Voltex Fan Run-on Timer IWT-FR



IWT-FR

VOLTEX®

Voltex Fan Run-on Timer IWT-FR

IMPORTANT NOTE

This Timer requires both **a Fan and a Light** to be connected. If only connecting a fan, the IWT-B Timer is required.

INSTALLATION GUIDE

Technical specifications

Supply	220 – 240V, 50Hz
Max Load	1A [all load types]
Min Load	2.5W
Compatible Load Types	Resistive loads Inductive load [contactor] Tungsten filament lamp load Externally ballasted lamp load [LED, CFL or Fluorescent] Self-ballasted lamp load [LEDi or CFLi] Small motor load – M.1 [exhaust fan typical]
Turn on Delay	3 seconds [default] 1 minute 3 minutes
Timer Settings	5 minutes 15 minutes [default] 30 minutes
Switch Input type	Toggle ON/OFF switch
Load Switching type	Semiconductor switching device
Load Override	Yes
Dimensions:	39 x 41 x 12 mm
Weight	20g
Ingress protection	IP30
Wire length	110 mm
Ambient Operating Temperature	0 to 50°C
Ambient Storage Temperature	-10 to 70°C
Humidity	0% to 95% RH non-condensing
Fault Protection	Open circuit Short circuit Overload Over Temperature
Material:	Flame retardant polycarbonate

INSTALLATION GUIDE

Fan Run-on Timer IWT-FR

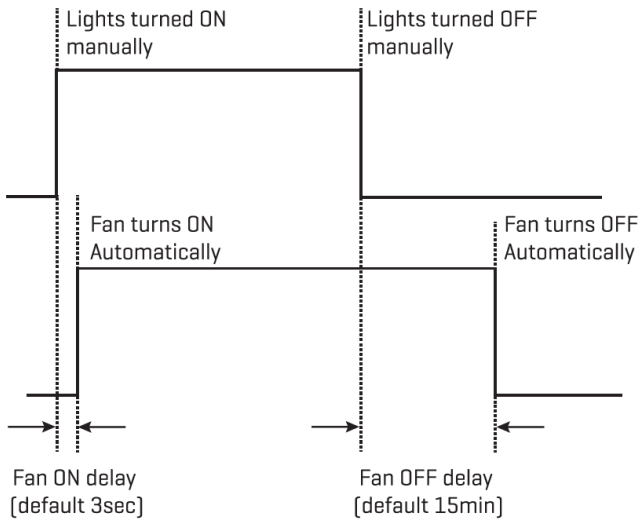
The Run-on Timer senses whether connected lights are ON or OFF and controls a connected fan based on the status of the lights.

Warnings

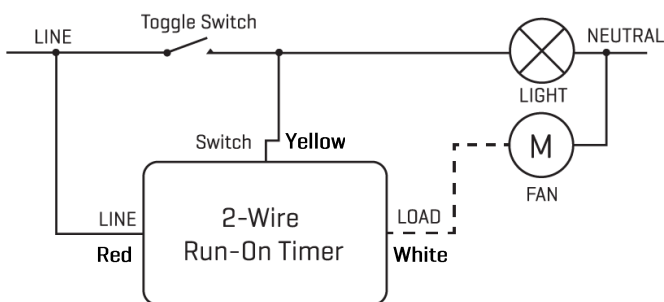
- This product should only be installed by a licenced electrician in accordance with all the requirements of AS/NZS 3000 [current edition] and other relevant Standards and Regulations.
- Isolate the electrical supply before installing or servicing. It should be assumed that even when OFF, mains voltage may still be present at the load fitting.

Operation

- When the connected lights are turned ON, the timer will wait for the fan ON-delay period, then turn the fan ON.
- When the connected lights are turned OFF, the timer will operate the fan OFF-delay period, then turn the fan OFF.



Wiring Diagram

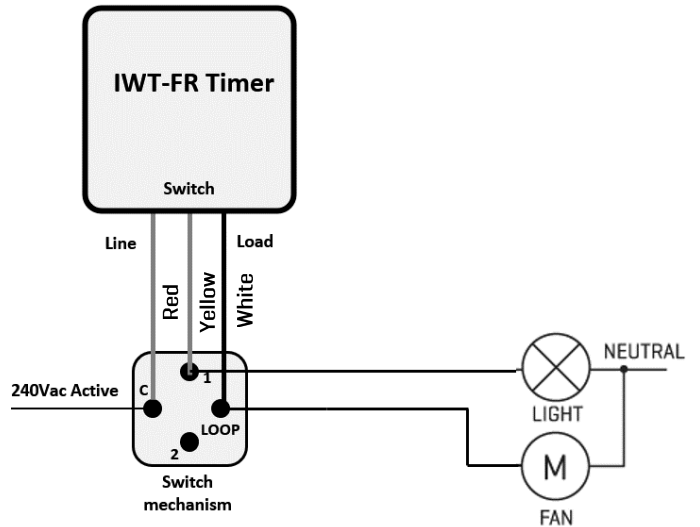


Connections

- Red: Line / Active
- Yellow: To Lighting Load
- White: To Fan Load

Installation with modular switch mechanism

This product must be used in conjunction with a standard switch plate and modular switch.



Setting up the fan turn-OFF delay

1. Ensure both the connected lights and fan are OFF.
2. Toggle the Lights ON and OFF the number of times shown in the table below to set the required fan turn-OFF delay. The fan turn-OFF delay is set to 15 minutes by default.

Number of toggles	Action
3	Set short time [5 minutes]
4	Set medium time [15 minutes] [Default]
5	Set long time [30 minutes]

Setting up the fan turn-on Delay

1. Ensure both the fan and lights are off.
2. Turn the light switch on.
3. Wait for the fan to come on and **within 2 seconds of the fan coming on**, start toggling the switch OFF-ON the number of times required, as shown in the table below.

Number of toggles	Action
3	Set short time [3 seconds] [Default]
4	Set medium time [1 minute]
5	Set long time [3 minutes]

Power-up state

The timer always powers up in the OFF state.

Important Setup Information

The setup function is only available for 60 minutes after powering up the circuit. If setup does not work, switch the circuit off and on again at the breaker.